



Mechanical Data

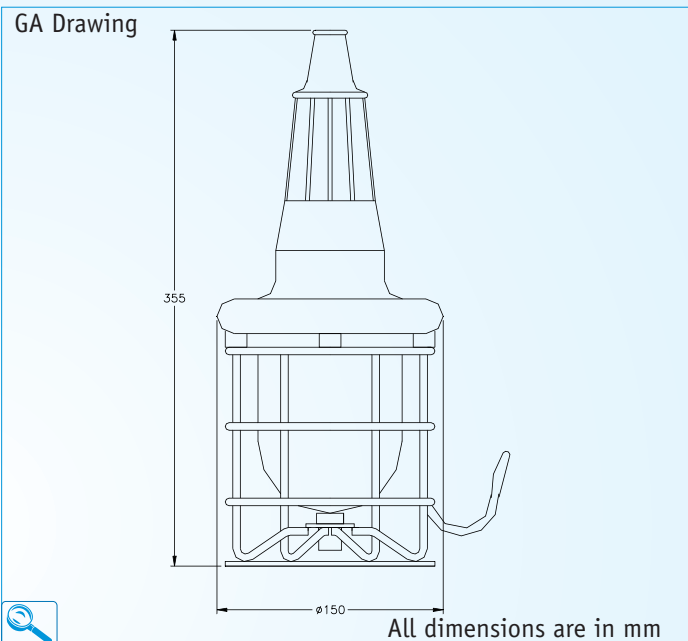
Material	: Reinforced Neoprene moulded rubber
Weight	: 2 Kg
IP Protection	: IP 66
Finish	: Natural Black
Cable Entry	: Suitable for 3x2.5 sq.mm TRS cable
Glass	: Toughened Borosilicate
Wire guard	: 5 mm welded steel construction
Reflector	: Anodised Aluminium
Suspension	: 'J' Type suspension
Hinge	: Not applicable
Gasket	: Neoprene
Hardware	: Stainless Steel

Electrical Data

Voltage	V : 230AC,50Hz
Lamp Wattage	W : 40GLS/60GLS/100GLS
Lamp holder	: Non sparking ES cap-E27
Wiring	: Not applicable
Max. Cable size	: 3x2.5sq.mmTRS/3x1.5Neoprene PVC braided copper cable
Int. Terminations	: Anti-loosening terminals on the holder
Insulators	: Glass fibre re-inforced DMC.

Description

Increased safety restricted breathing hand lamp in an integral one piece construction. The toughened glass is provided with a gasket is clamped to the main neoprene rubber body by retaining rings. A specially designed non-sparking lamp holder with a vibration proof wire clamping device is provided. The lamp is also held tight by a spring loaded device to prevent loosening due to vibrations. The hand lamp can be supplied with 3 mm, 5 mm or 10 mm length of cable duly wired.



Type of protection	Increased Safety Exe		
Area Classification	Zone 2		
Apparatus Standard	IS - 6384 & IS- 8224		
CMRI Certificate No.	V / 15 / 1320		
Approvals	CCE, DGFAS		
Temp Rating	T6	T5	T4
Wattage Rating	40 GLS	60 GLS	100 GLS

Polar Diagram

Provided On Demand.
Please [Contact](#) us.